



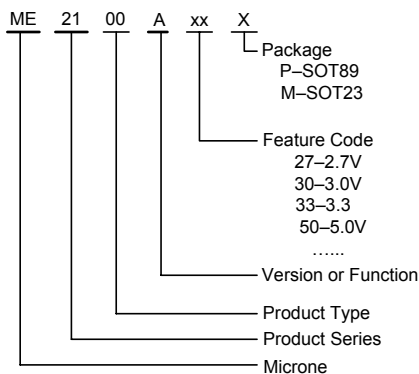
ME2100 Series Step-up DC-DC Converter

ME2100 Series is a PFM Step-up DC/DC converter IC with low supply current by CMOS process. High frequency noise that occurs during switching is reduced by using advanced circuit designed, output voltage is programmable in 0.1V steps between 2.0~7.0V and maximum frequency is 100KHz(Typ.). A low ripple, high efficiency step-up DC/DC converter can be constructed of ME2100Xxx with only three external components. Also available is a CE(chip enable) function that reduce power dissipation During shut-down mode. ME2100Xxx is suitable for use with battery-powered instruments with low noise and low supply current.

Features

- Low input current: 6 μ A(Type);
- Low ripple and low noise;
- Operating voltage range: 0.9V~6.5V;
- Output voltage range: 2.0V~7.0V(step 0.1V);
- Output voltage accuracy: $\pm 2.5\%$;
- Output Current: if $V_{in}=3.0V$ and $V_{out}=3.3V$, then $I_{out}=300mA$;
- Low start voltage: $\leq 0.9V$ (at $I_{out}=1mA$);
- Maximum oscillator frequency: 100KHz(Typ.);
- High Efficiency: 85%(Type);
- PACKAGE: SOT23-3, SOT23-5, SOT89-3, SOT89-5

Selection Guide



Applications

- Power source for battery-powered equipment;
- Power source for wireless mouse, wireless keyboard, toys, cameras, camcorders, VCRs, PDAs, and hand-held communication equipment;
- Power source for appliances which require higher cell voltage than that of batteries used in the appliances.

TYPE	POSTFIX	PACKAGE	SWITCHING TRANSISTOR	CE FUNCTION	FEATURES
ME2100Axx	M3	SOT23-3	Build_in Transistor	No	Lx
	P	SOT89-3			
ME2100Bxx	M3	SOT23-3	External Transistor	No	Ext
	P	SOT89-3			
ME2100Cxx	M5	SOT23-5	Build_in Transistor	Yes	Lx+CE
	P5	SOT89-5			
ME2100Dxx	M5	SOT23-5	External Transistor	Yes	Ext+CE
	P5	SOT89-5			
ME2100F	M5	SOT23-5	External Transistor	No	FB