

## Ultra-small package High-precision Voltage Detector with delay circuit, ME2806 Series

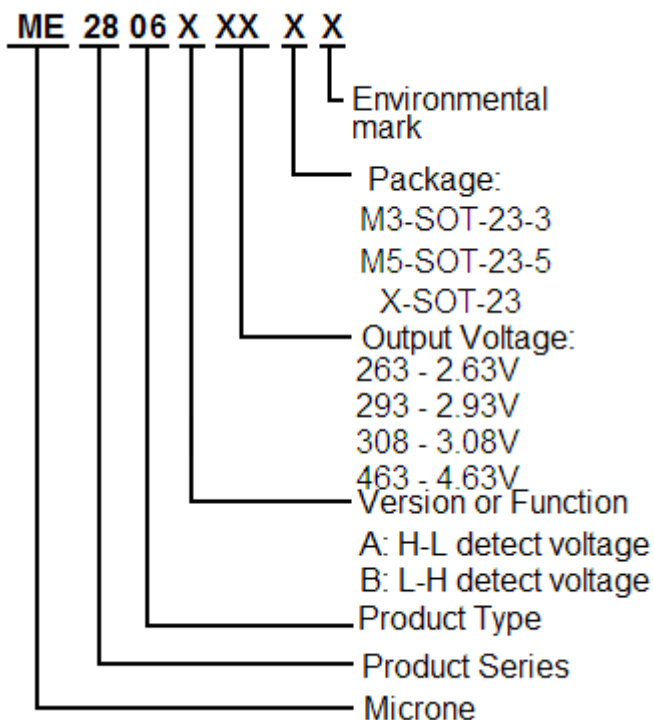
### General Description

**ME2806 Series** is a series of high-precision voltage detectors with a built-in delay time generator of fixed time developed using NMOS process. Internal oscillator and counter timer can delay the release signal without external parts. Detect voltage is extremely accurate with minimal temperature drift. NMOS output configurations are available.

### Features

- Highly accuracy:  $\pm 2\%$
- Low power consumption: TYP 0.9 $\mu$ A ( $V_{DD}=3V$ )
- Detect voltage range: 1.0V~6.5V in 0.1V increments
- Operating voltage range: 0.7V~7V
- Detect voltage temperature characteristics: TYP $\pm 100$ ppm/ $^{\circ}C$
- Output configuration: NMOS
- Package: SOT-23-3, SOT-23-5, SOT-23

### Selection Guide



### Typical Application

- Power monitor for portable equipment such as notebook computers, digital still cameras, PDA, and cellular phones
- Constant voltage power monitor for cameras, video equipment and communication devices.
- Power monitor for microcomputers and reset for CPUs.
- System battery life and charge voltage monitors

### Typical Application Circuit

