

## Voltage Detectors , ME2803 Series

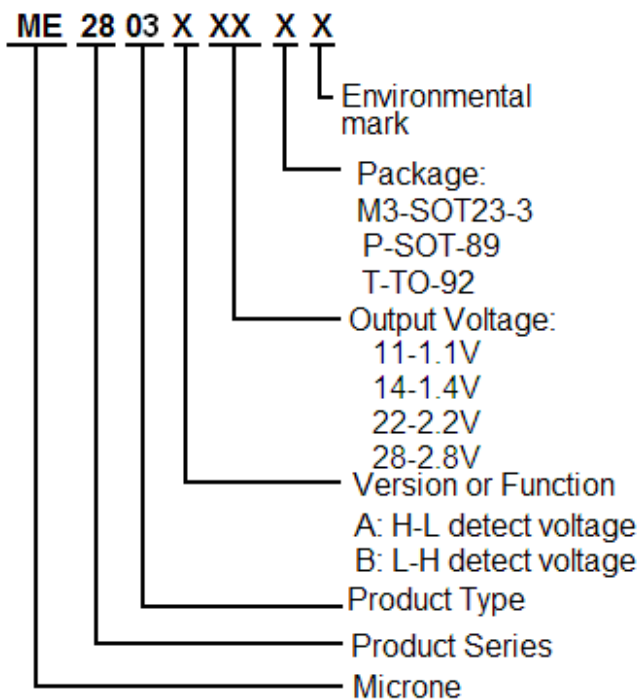
### General Description

**ME2803 Series** are highly precise, low power consumption voltage detectors, manufactured using CMOS technologies. Detect voltage is extremely accurate with minimal temperature drift. CMOS output configurations are available.

### Features

- Highly accuracy:  $\pm 1\%$  ( $-V_{DET}=2.2V$  以上)
- Low power consumption:  
TYP 0.7 $\mu$ A ( $V_{IN}=3.5V, -V_{DET}=2.2V$ )
- Detect voltage range: 1.0V~6.5V in 0.1V increments
- Operating voltage range: 0.7V~7V
- Detect voltage temperature characteristics:  
TYP $\pm 100$ ppm/ $^{\circ}$ C
- Output configuration: CMOS

### Selection Guide



### Typical Application

- Microprocessor reset circuitry
- Memory battery back-up circuits
- Power-on reset circuits
- Power failure detection

### Typical Application Circuit

