

High Performance Off-Line Controller ME8100

General Description

ME8100 Series is a high performance green-energy offline power supply controller. It features a scalable driver for driving external NPN or MOSFET transistors for line voltage switching. This proprietary architecture enables many advanced features to be integrated into a small package(TO-92),resulting in lowest total cost solution.

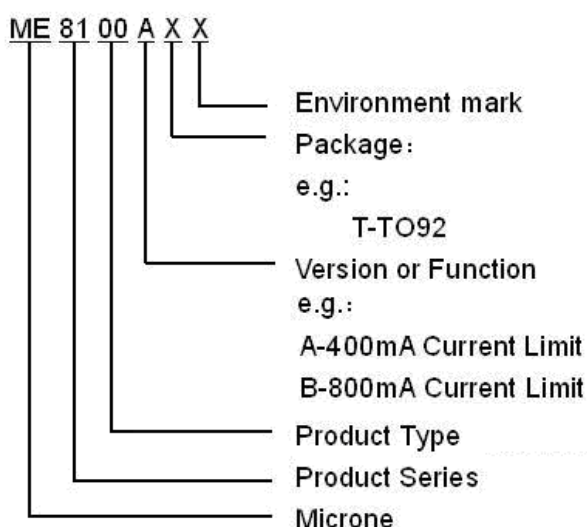
The ME8100 design has 6 internal terminals and is a pulse frequency and width modulation IC with many flexible packaging options. One combination of internal terminals is packaged in the space-saving TO-92 package (A/B versions) for 65kHz switching frequency and with 400mA or 800mA current limit. Consuming only 0.15W in standby, the IC features over-current, hiccup mode short circuit, and under-voltage protection mechanisms.

The ME8100 is ideal for use in high performance universal adaptors and chargers.

Features

- Lowest Total Cost Solution
- 0.15W Standby Power
- Emitter Drive Allows Safe NPN Flyback Use
- Hiccup Mode Short Circuit
- Current Mode Operation
- Over-Current Protection
- Under-voltage Protection with Auto-restart
- Proprietary Scalable Output Driver
- Flexible Packaging Options(including TO-92)
- 65kHz Switching Frequency
- Selectable 0.4A to 0.8A Current Limit

Selection Guide



Typical Application

- Battery Chargers
- Power Adaptors
- Standby Power Supplies
- Appliances
- Universal Off-line Power Supplies