



Description

The SE5509LA series of fixed output low dropout linear regulators are designed for portable battery powered applications, which require low power consumption, low noise environment, and low dropout voltage. Each device contains a bandgap voltage reference, an error amplifier, a PMOS power transistor, and resistors for setting output voltage, and current limit and temperature limit protection circuits.

The SE5509LA has been designed to be used with low cost capacitors and requires a minimum output capacitor of 1.0 μ F. The output voltages range from 1.5V to 4.6V in 100mV increments. Standard voltage versions are 1.5, 1.8, 2.5, 2.8, 3.0, and 3.3V. The SE5509LA is characterized for operation from -40°C to 125°C, junction temperature.

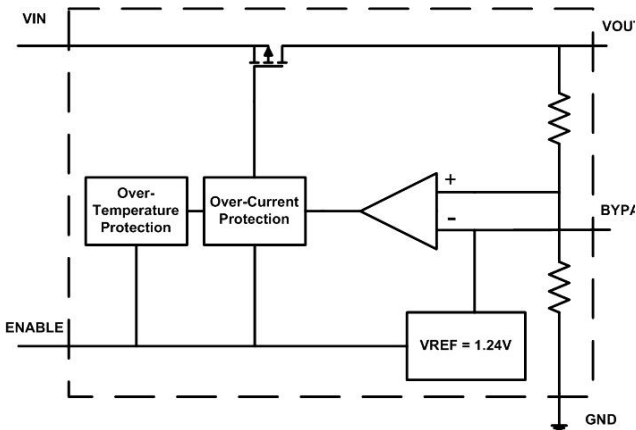
Features

- Typical 180mV Dropout Voltage at 150mA.
- Excellent Line and Load Regulation.
- High Accuracy Output Voltage of 2%.
- Ultra-Low Ground Current at 50 μ A (Typ.)
- Disable Current Less than 0.01 μ A (Typ.)
- Over Current and thermal Protection.Short circuit Protection
- ESD rating is 2KV(HBM).
- Standard SOT-23-5L MLP-6L and TSOP-5 Package.
- 100% halogen-Free

Application

- USB removable devices
- MPEG4 devices
- Wireless LAN's
- Hand-Held Instrumentation.
- Portable DVD players
- Digital camera

Block Diagram



Ordering Information

SE5509LA _ _ _ _ _
Pin (1=>5):
G: VIN/GND/EN/BYPASS/VOUT
Package:
L: SOT-23-5L

Output Voltage: A: V_{OUT} = 3.3V
B: V_{OUT} = 2.8V
C: V_{OUT} = 2.5V
D: V_{OUT} = 1.8V
E: V_{OUT} = 1.5V
F: V_{OUT} = 3.0V
G: V_{OUT} = 1.2V