



General Description

The SE5220 series of adjustable output ultra low dropout linear regulators are designed for portable battery powered applications, which require low power consumption and low dropout voltage. Each device contains a bandgap voltage reference, an error amplifier, a PMOS power transistor, and current limit and temperature limit protection circuits. The output voltage can be adjusted via the external resistor network, based on the internal reference voltage of 0.8V

The SE5220 is designed to work with low cost electrolytic and ceramic capacitors and requires a minimum output capacitor of 1 μ F.

Features

- Typical 150mV Dropout Voltage at 500mA.
- Fast Enable Turn-On Time of 20 μ s (Typ.)
- Excellent Line and Load Regulation.
- High Accuracy Output Voltage of 2%.
- Ultra-Low Ground Current at 78 μ A(Typ)
- Disable Current Less than 1 μ A (Typ.)
- Thermal and Over-Current Protection.
- Short Circuit Protection
- Standard SOT23-5 Package.

Applications

- USB removable devices
- MPEG4 devices
- Wireless LAN's
- Hand-Held Instrumentation.
- Portable DVD players
- Digital camera

Typical Application

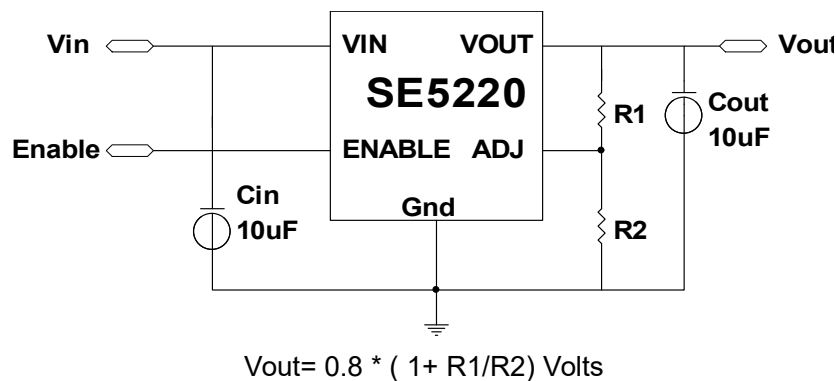


Figure 2. ADJ Vout Typical Application Circuit (Minimum Cout 1 μ F)