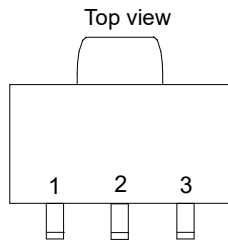


Description

The SE5119 is an efficient linear voltage regulator. It has extra low dropout voltage. At light loads the typical dropout voltage is 15mV, at full load the typical dropout voltage is 600mV. The output voltage accuracy is better than 3%.

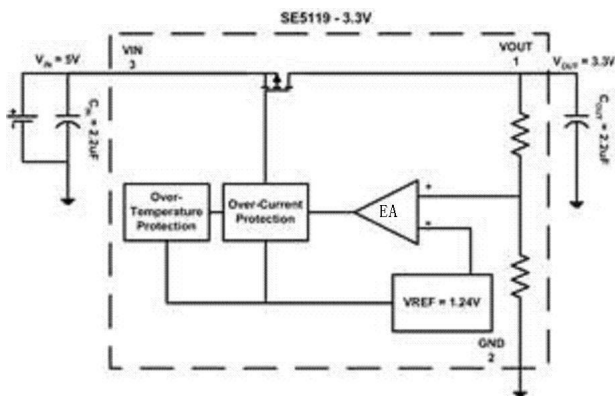
The SE5119 has low ground current at 100uA, so it can help prolong battery life. The SE5119 is specially designed for hand-held, battery-powered devices.

Pin Configuration



SOT-89

Typical Application



Features

- Typical 175mV dropout voltage at 150mA.
- Low Ground current at 100uA. (Typ.)
- Guaranteed 500mA output over the full operating temperature range.
- Extremely tight load and line regulation.
- Low temperature coefficient.
- Current and thermal limiting.
- No-load stability.
- Standard SOT-89-3 package.

Applications

- Active SCSI terminators.
- Post regulators for switching supplies.
- Battery chargers.
- High-efficiency linear power supplies.
- Computer motherboard, display, graphic card DC/DC converter, such as 5V to 3.3V, 3.3V to 2.8V or 3.3V to 2.5V.

Ordering Information

SE5119 ___HF/LF

PIN (1=>3): 1. G: OUT/GND/IN
2. N: GND/IN/OUT

Package Type: 1. K: SOT-89-3L

Output Voltage: 1. A: V_{OUT} = 3.3V
2. B: V_{OUT} = 2.8V
3. C: V_{OUT} = 2.5V
4. D: V_{OUT} = 1.8V
5. E: V_{OUT} = 1.5V
6. F: V_{OUT} = 3.0V
7. Q: V_{OUT} = 3.6V
8. Y: V_{OUT} = 3.5V

Note: LF/HF mean for Lead Free or Halogen Free
For special order