

Features

- Input Voltage Range: 4.5V ~ 6V
- Programmable Charge Current up to 1.3A
- No V_{IN} Blocking Diode Required
- End - Charge - Current Detection Output
- Constant Switching Frequency
- Automatic Battery Recharge
- Automatic Shutdown When Input Supply is Removed
- Automatic Trickle Charging of Low Voltage Batteries
- Battery Temperature Monitoring
- SOP-8L Package

Applications

- Charging Docks
- Portable Computers
- Handheld Instrument
- Industrial and Medical Equipment

Description

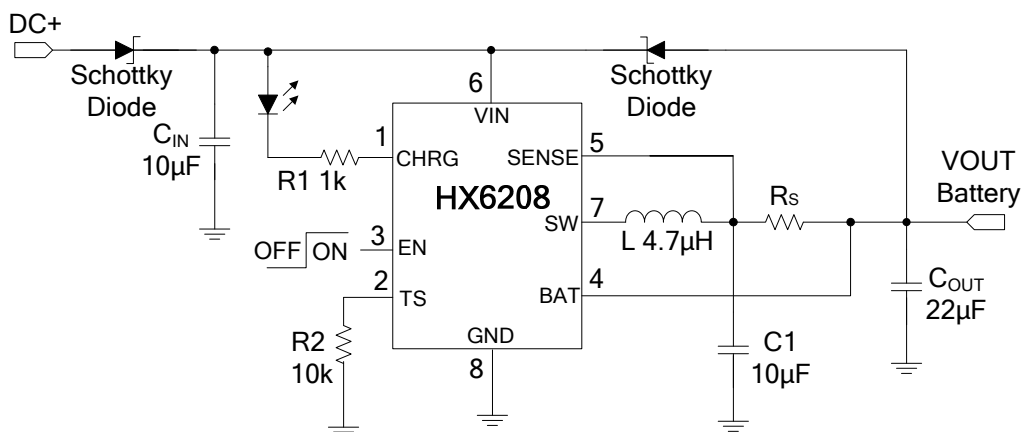
The HX6208 is a complete switch-mode battery charger for one cell (4.2V) lithium-ion battery.

The HX6208 provides a small, simple and efficient solution to fast charge Li-ion battery with maximum charge current programmable up to 1.3A, set using an external current sense resistor.

The HX6208 charges the battery in three phases: preconditioning, constant current and constant voltage. Charge is terminated when charge current falls to the charge termination threshold. When the input supply is removed, the HX6208 automatically enters a low current sleep mode.

The HX6208 is available in the SOP-8L package.

Typical Application Circuit



*The charge current can be set by R_S , $I_{OUT} = 0.1V / R_S$.

*This application circuit is for MID.